

Bucceri Ice Flake Module



Simple to Operate
Miniature Ice Flakes
Any Temperature
Plug and Play

The **Ice Flake Module** is the next advancement in continuing development and improvement of the original, patented **Bucceri B4 All-Weather Snow Making Machine**. It provides the correct sized ice particles to connect to the Bucceri B4 Snow Maker to make the finest quality snow available.

Each module when connected to a B4 snow maker can create up to 6.25 cubic metres of snow daily at a density of 0.4 from water alone.

You can connect from 1 to 50 modules to a single B4 snow maker and the system can be controlled to operate automatically making fresh snow on a batch cycle or continuous cycle. That means 10 to 500 cubic metres of snow daily depending on the Ice Flake Modules connected! Just connect to water and power, dial in your preference and you are set to go.

Features

•Control panel

The LED Control Panel displays everything needed to control your flake ice production. You can access the control panel directly from the LED display or purchase the option to operate remotely using the state-of-the-art software that allows you to access and control the equipment from your computer, laptop, iPad or Phone.

•Adjustments of the B4 output for snow making

When connected to the Bucceri Snow system a PLC and Variable Speed Drives allow you to control the output times and adjust it to your needs. The delay time and output time can be programmed to the exact minutes.

•Modular Operation

With our modular snow production system, you can add more modules to our patented multi functional falling snow machine to increase production ranging from 1/2 cubic metre to up to 20 cubic metres of fresh snow per hour with an ability to blow the snow in a straight line or in the air up to 25 metres from a single machine which consists of a number of flake Ice Machine Modules and the B4 snow making system.

How Does it work?

The **Bucceri Ice Flake Generator** makes small pieces of flake ice from water and these ice particles are processed in our patented system to produce falling snow within minutes of activation.

The **Bucceri Ice Flake Generator** uses refrigeration equipment to produce small particles of ice from fresh water. The Bucceri Ice Flake Generator are produced with wheels and levelling devices to be easily moved by a forklift or wheeled into position for use. The ice can be stored in the conveyor and then harvested into snowflakes by our B4 snow machine before being blown from the machine.

Safety

The **Bucceri Snowfall PLUS** complies with all current safety requirements for a machine of its type.

Service

The strong partnership between Australian Manufacturer Bucceri Snow and Local Partners provides quick and easy service guaranteeing the high quality of all products.

Technical data for Each Module

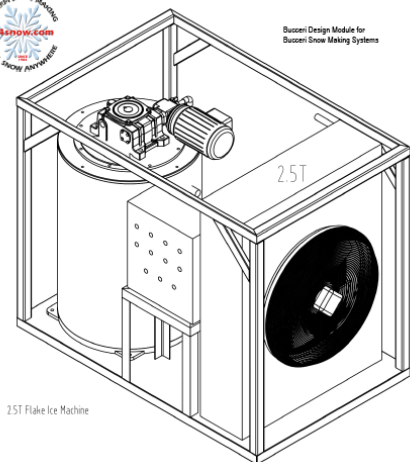
Procedure	Ice Flake Generator
Power requirement Including 1 Module with 1 ice Generating Units	Connected Power 30 to 32 Amps plus E and N Normal Operating load of Flake Ice Machine 21 Amps
Voltage	480V/60Hz 3phase or as required
Warm up time	approx. 3 min.
Power Consumption at design	8.5 kw/hour
Design Operation	Continuous Operation
Module Dimensions	2400 by 2200 by 1770mm Weight 1230kgs
Ice Production Daily Snow Production Daily	2500kgs /5500 pounds 6.25cubic Metres / 7 cubic yards
Water Usage per Module	1.7 liters (1/2 gallon) /min



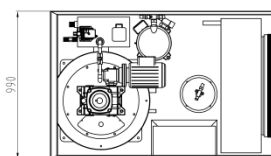
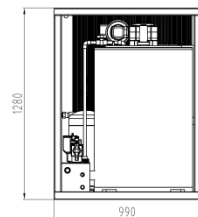
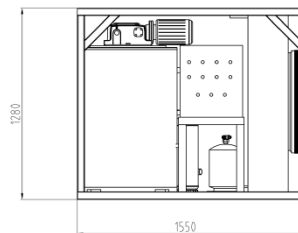
Image of 8 Modules connected to Automated B4 Snow System

Technical data Ice Generating Module

Component Name	Ice Generator
Compressor	Copeland
Condenser	Eden
Expansion valves	Danfoss
Evaporator	Bucceri
Oil separator	Emerson
Accumulator	D&F
Water Pump	US Brand*
Reducer and motor	US Brand*
Electrical parts	Schneider Brand
Ice Generating Units	1
Ice daily productive capacity per Unit	2500 kgs per day
Standard ambient temp	30 degrees Celsius
Standard inlet water temp	18 degrees Celsius
Evaporating temp	-20 degrees Celsius
Condensing temp	40 degrees Celsius
Ice temperature	-7 degrees Celsius
Power supply	480V/60HZ/3Phase
Refrigerant	R404A or as specified
Refrigerant capacity	13.3kw
Installed Power	8.5kw
Dimensions per Unit	1700 x 1100 x 1000
Weight per Unit	415 kgs



25T Flake Ice Machine



Bucceri Ice flake Generator- Single Unit